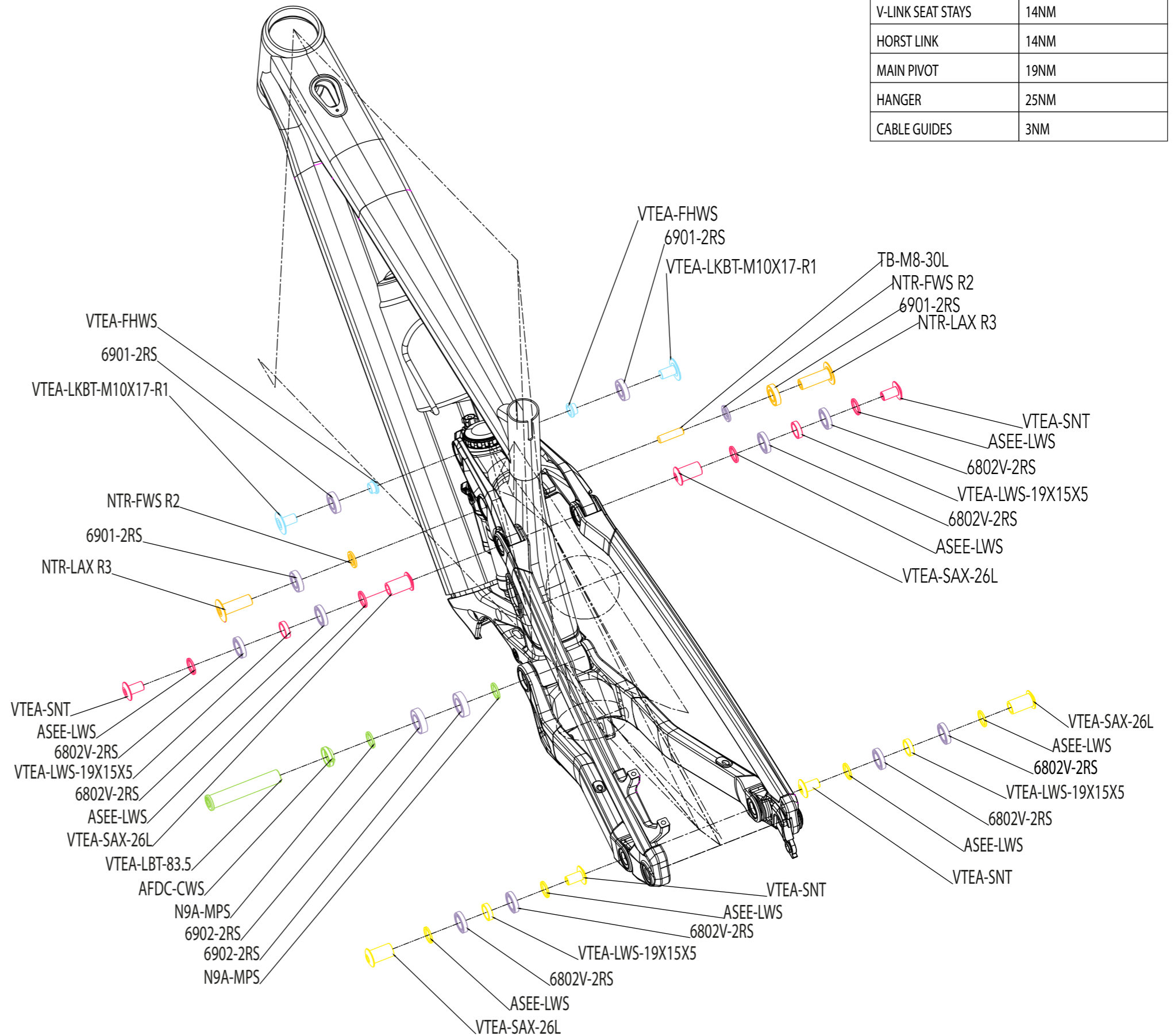
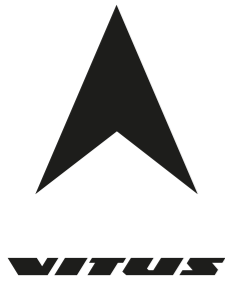


RECOMMENDED TORQUE VALUES

| | |
|-------------------|------|
| SHOCK BOLTS | 14NM |
| V-LINK PIVOT | 14NM |
| V-LINK SEAT STAYS | 14NM |
| HORST LINK | 14NM |
| MAIN PIVOT | 19NM |
| HANGER | 25NM |
| CABLE GUIDES | 3NM |

| | PART # | PART DESCRIPTION | QTY | Nm |
|---------------------------------|--------|---|-----|----|
| | 1 | VTE9B-MD | 1 | |
| | 2 | sdlx-rrcrt-205x65-tr-st-3d | 2 | |
| | 3 | VTE9B-SS | 1 | |
| | 4 | VTE9B-CS | 1 | |
| | 5 | Maxxis - 275 2.6 Rekon Worst Case CRC Model | 1 | |
| Main Pivot Bolt Kit | 6 | VTEA-LBT-83.5 | 1 | 19 |
| | 7 | AFDC-CWS | 1 | |
| | 8 | VTC57A-LK-R1 | 1 | |
| | 9 | M6x12L-R51B | 3 | 7 |
| | 10 | 6902-2RS | 2 | |
| Main Pivot Bolt Kit | 11 | N9A-MPS | 2 | |
| | 12 | 6901-2RS | 4 | |
| Trunion Mount Shock Bolt Kit | 13 | VTEA-FHWS | 2 | |
| | 14 | VTEA-LKBT-M10X17-R1 | 2 | 14 |
| V-Link Seat Tube Pivot Bolt Kit | 15 | NTR-LAX R3 | 2 | 14 |
| | 16 | NTR-FWS R2 | 2 | |
| | 17 | TB-M8-30L | 1 | |
| | 18 | 6802V-2RS | 8 | |
| V-Link SS/ Horstlink Bolt Kit | 19 | VTEA-LWS-19X15X5 | 4 | |
| | 20 | ASEE-LWS | 8 | |
| | 21 | VTEA-SAX-26L | 4 | |
| | 22 | VTEA-SNT | 4 | 10 |
| | 23 | M8x50L-P11B | 1 | 14 |
| | 24 | MB-T40-18L | 6 | |
| | 25 | VT9A-BTH-A | 1 | |
| | 26 | VT9A-BTH-B | 1 | |
| | 27 | VT9A-CGB-A | 1 | |
| | 28 | VT9A-CGB-B | 1 | |
| | 29 | TCBC-CGR-1 | 3 | |
| | 30 | Small Water Bottle - High 5 500ml | 1 | |
| | 31 | Water Bottle Cage (1) | 1 | |
| | 32 | M4x8L-M11B | 3 | 3 |
| | 33 | M6x12L-M11B | 4 | 7 |
| | 34 | 00-7918-089-000 | 1 | |
| | 35 | VT9B-BTC | 1 | |





RECOMMENDED TORQUE VALUES

| | |
|---------------------|-----|
| DOOR | 7NM |
| BATTERY MOUNT BOLTS | 7NM |
| CABLE GUIDE BOLTS | 3NM |

| PART # | PART DESCRIPTION | QTY | Nm | |
|---------------------------------|---|-------------|----|---|
| 1 | VTE9B-MD | 1 | | |
| 2 | sdlx-rrcrct-205x65-tr-st-3d | 2 | | |
| 3 | VTE9B-SS | 1 | | |
| 4 | VTE9B-CS | 1 | | |
| 5 | Maxxis - 275 2.6 Rekon Worst Case CRC Model | 1 | | |
| 6 | VTEA-LBT-83.5 | 1 | 19 | |
| 7 | AFDC-CWS | 1 | | |
| 8 | VTCS7A-LK-R1 | 1 | | |
| Internal Battery Door Protector | 9 | M6x12L-R51B | 3 | 7 |
| 10 | 6902-2RS | 2 | | |
| 11 | N9A-MPS | 2 | | |
| 12 | 6901-2RS | 4 | | |
| 13 | VTEA-FHWS | 2 | | |
| 14 | VTEA-LKBT-M10X17-R1 | 2 | 14 | |
| 15 | NTR-LAX R3 | 2 | 14 | |
| 16 | NTR-FWS R2 | 2 | | |
| 17 | TB-M8-30L | 1 | | |
| 18 | 6802V-2RS | 8 | | |
| 19 | VTEA-LWS-19X15X5 | 4 | | |
| 20 | ASEE-LWS | 8 | | |
| 21 | VTEA-SAX-26L | 4 | | |
| 22 | VTEA-SNT | 4 | 10 | |
| 23 | M8x50L-P11B | 1 | 14 | |
| 24 | MB-T40-18L | 6 | | |
| Internal Battery Bolt Kit | 25 | VT9A-BTH-A | 1 | |
| Internal Battery Bolt Kit | 26 | VT9A-BTH-B | 1 | |
| Internal Battery Door Protector | 27 | VT9A-CGB-A | 1 | |
| Internal Battery Door Protector | 28 | VT9A-CGB-B | 1 | |
| 29 | TCBC-CGR-1 | 3 | | |
| 30 | Small Water Bottle - High 5 500ml | 1 | | |
| 31 | Water Bottle Cage (1) | 1 | | |
| | 32 | M4x8L-M11B | 3 | 3 |
| Internal Battery Bolt Kit | 33 | M6x12L-M11B | 4 | 7 |
| 34 | 00-7918-089-000 | 1 | | |
| Internal Battery Door Protector | 35 | VT9B-BTC | 1 | |

